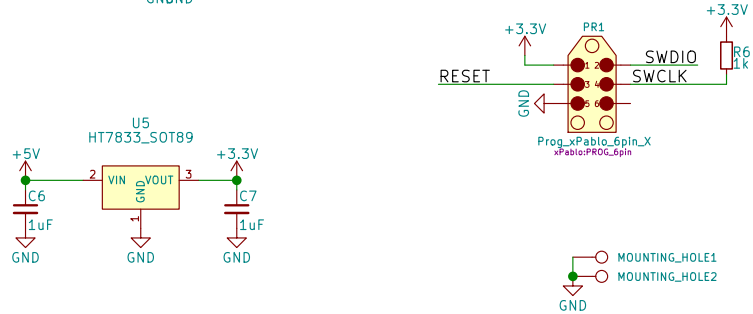
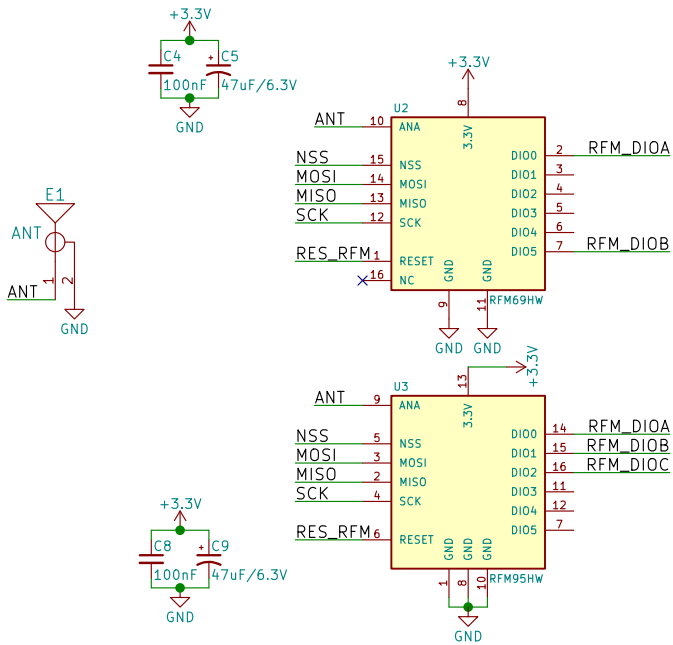
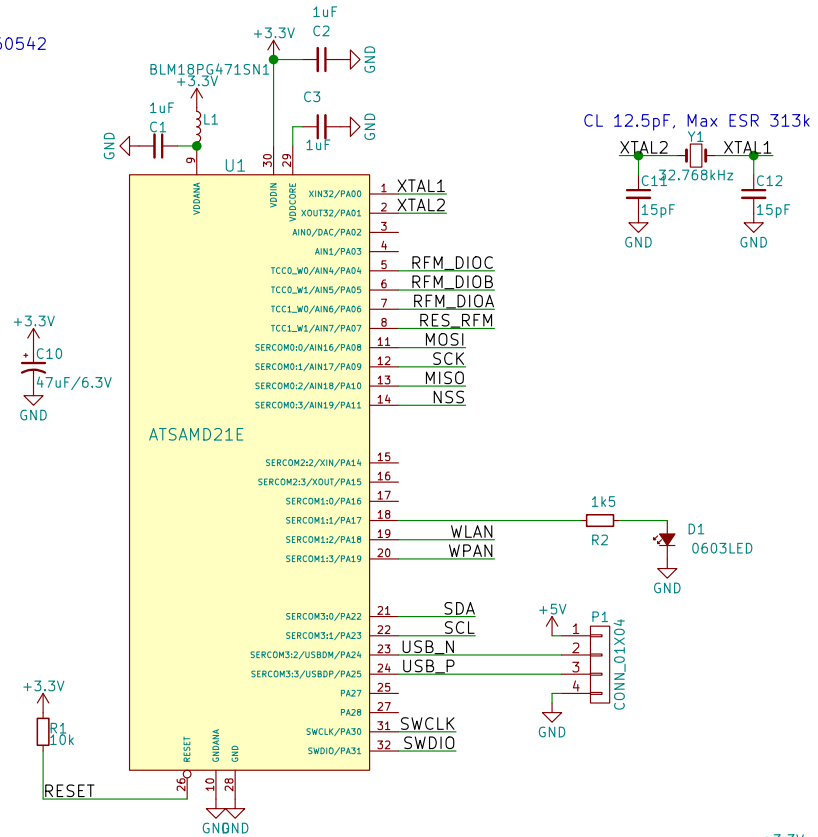
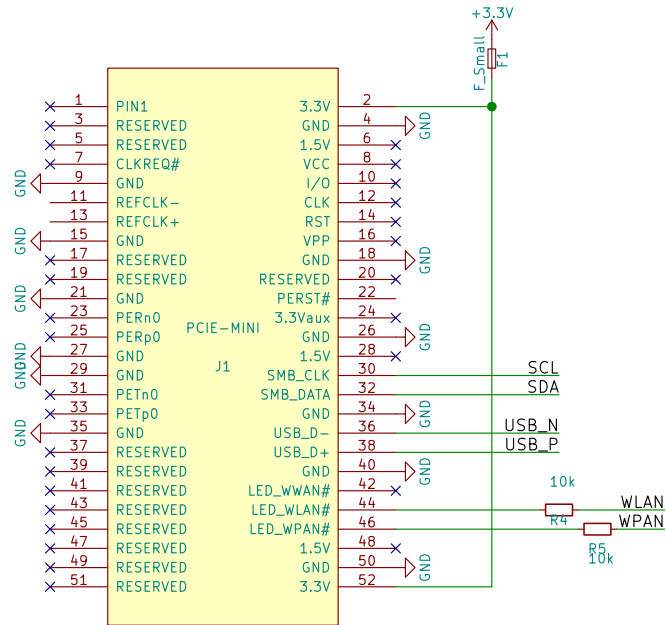



ATSAMD21E18A-M(U/F)
<http://cz.farnell.com/atmel/atsamd21e18a-mf/mcu-32bit-cortex-m0-48mhz-qfn/dp/2460542>





xPablo.cz
 Sheet: /
 File: pcielora.sch

Title: Turris Omnia LoRa

Size: A4	Date: 12.1.2017
KiCad E.D.A. kicad 4.0.5	Rev: A
	Id: 1/1